

Programmable Deluxe Thermostat



Indoor Air Quality
Beltéri Levegőminőség Kft.
www.iaq.hu

B63-NS Series for Fan Coil Unit of AC Systems

Features

- Deluxe programmable thermostat for Fan Coil Unit of air conditioning systems. It's designed to maintain your desired room temperature by 7-days program.
- Many models for different FCU systems and also provide customized models.
- Setting and operation easily by perfect buttons and large LCD. Provides you a more comfortable and convenient living environment.
- Large LCD display with many messages for quick and easy checking and operation. Such as temperature measurement and set point, fan and valve working status, clock and program, etc.
- Attractive turn-cover design, most frequently used keys are located right beside the LCD for quick and easy operation. Program keys are located on the interior to eliminate accidental setting changes.
- Programmable control for your convenience with 7-day program of four time periods and four temperatures each day.
- All setup are kept on after the event of the power failure.
- Auto or manual fan speed switch selectable.
- °F or °C temperature display selectable.
- Constant hold feature allows continuous override.
- Temporary temperature override.
- Unique lockable function makes all keys locked to eliminate accidental operation.
- Key-card option keeps on the save energy temperature in non-occupancy for hotels and returns back automatically to the pre-set temperature once occupancy.
- Infrared remote control optional.
- Blue backlight optional
- RS485 communication interface optional

Buttons and LCD



- cooling/heating/fan switch
- auto fan speed/ manual fan speed adjustment
- temporary temp/ continuous temp/ programming temp switch
- 7-day Programming

Specifications

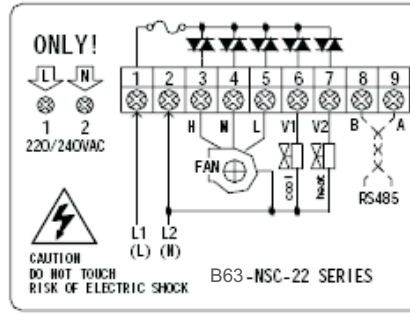
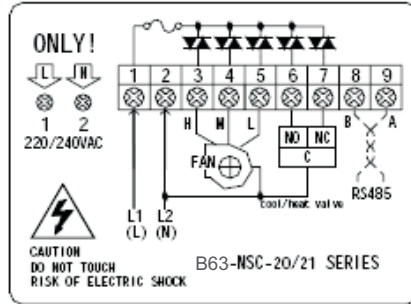
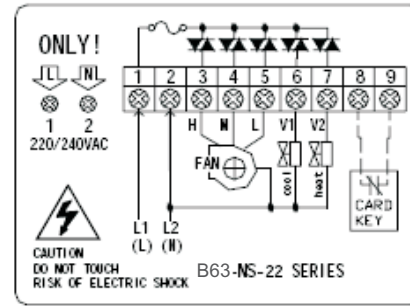
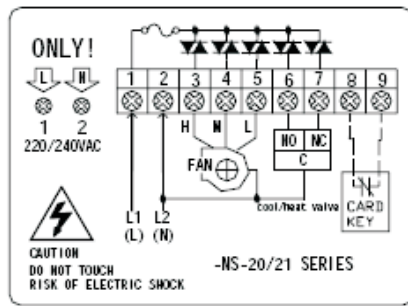
Power supply	220VAC±10% / 110VAC±10%
Power consume	3W
Electrical rating	2 amp maximum load per terminal
Sensor	NTC 5K @25°C
Temperature degree	Celsius or Fahrenheit

Temperature control range (for heat/ cool)	5~35°C (41~95°F)
Accuracy	±0.5°C (±1°F) @25°C
Programmability	One week/7-day programmable and up to four time periods and temperatures pre-set for each day
LCD Display	91mm(L)X46mm(W)
Buttons	On the surface: power/ increase/ decrease Inside: for programming
Housing	PC/ABS plastic material with IP30 protection class
Net weight	370g
Dimensions	110mm(L)×90mm(W)×25mm(H) +28.5mm(back bulge)
Mounting standard	Mounting on the wall, 2"×4" or 65mm×65mm box

Models

B63-NS -20/21	3-speed fan control, 1*on/off output to control a 2-wire/3 wire water valve
B63-NS -20/21-K	3-speed fan control, 1*on/off output to control a 2-wire/3 wire water valve. Key-card function for occupancy & non-occupancy control.
B63-NSC-20/21	3-speed fan control, 1*on/off output to a 2-wire/3 wire water valve. RS485 communication interface
B63-NS-22	3-speed fan control, 2X on/off outputs to 2X 2-wire water valves for 4 pipes system
B63-NS-22-K	3-speed fan control, 2X on/off outputs to 2X 2-wire water valves for 4 pipes system. Key-card function for occupancy & non-occupancy control
B63-NSC-22	3-speed fan control, 2X on/off outputs to 2X 2-wire water valves for 4 pipes system. RS485 communication interface.
Blue Backlight of LCD -EL	Blue backlight display of LCD, two display modes selectable by end users
Remote Control -R	Infrared remote control

Wiring Diagrams



Mounting

